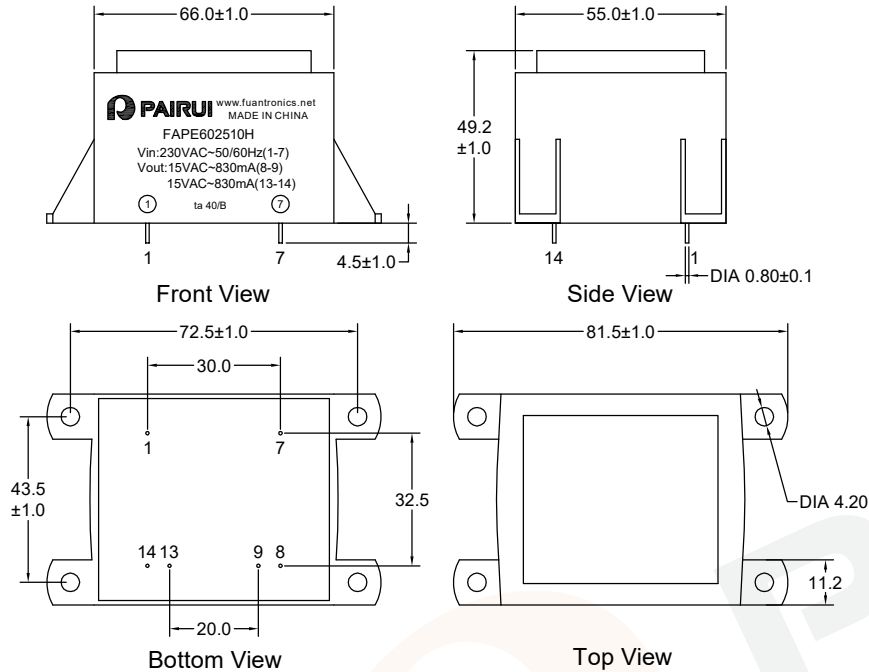


P/N: FAPE602510H



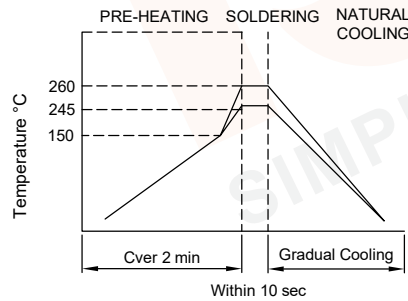
Outline Dimensions(Unit:mm)



Note:

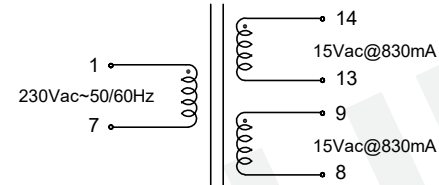
- 1.Remove Pins 2,3,4,5,6,10,11,12.

Wave Soldering



- Note:
- 1.Never Contact the ceramic with the iron tip;
  - 2.1.0mm tip diameter(max).

Electronical Schematic



Electrical Characteristics

- Input 230Vac 50Hz to 1-7 :
- Excitation current(Ix):50mA Max.
- Output: Vo(8-9)=17.3Vac Typ(No-load).
- Vo(13-14)=17.3Vac Typ(No-load).
- VL(8-14 short9,13)=30.0Vac±5%(Series@830mA).
- VL(8,13-9,14)=15.0Vac±5%(Parallel@1660mA).
- Insulation Resistance: Pri-Sec: 100 Mohms Min @500V.
- Hi-Pot: Pri-Sec: 4000VAC/5mA/60Second.

General Properties

- Operating Temperature:-25°C to +40°C.
- Storage Temperature:-25°C to +85°C.
- Insulation Class: B.
- Weight: 0.67kg.

REV	DESCRIPTION	APPD	DATE	Tianchang Fuan Electronic Co Ltd www.fuantronics.net TEL: +86-550-7814888 FAX: +86-550-7831133	Tolerances unless otherwise specified: (X)±0.50 (XX)±0.25 Unit of measurement: mm	Make: Qiumei.Liu Checked: Beson. zhan Approved: Anson. zhan	<b>DRAWING TITLE</b> 25W Encapsulated Transformer For E160*25.5,230VAC Input 50/60Hz	Customer Name:
							Document/Rev: 00	
							Specification Sheet: 1 of 2	
							Material Number: A226025XS090	Date of Recognition: Jan./02/2020

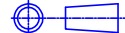
P/N: FAPE602510H



List of UL Certificate:

No.	Part Name	Mat'l Description	Supplier	UL Number
1	Bobbin	EI60*25.5/PBT(Black)	Chang Chun Plastics Co Ltd	E59481
2	Case	CASE-EI60*25.5/PA66(Orange)	Zhejiang Juner New Materials Co Ltd	E204321
3	Copper wire	2UEW-F/155C	Elektrisola Hangzhou Co Ltd	E258243
4	Core	Lamination	Ta Yea Steel Industry Co Ltd	N/A
5	Epoxy	PU552(Black)	Wevo-Chemle Gmbh	E108835
6				



				Tianchang Fuan Electronic Co Ltd www.fuantronics.net TEL: +86-550-7814888 FAX: +86-550-7831133	 Tolerances unless otherwise specified: (.X)±0.50 (XX)±0.25 Unit of measurement: mm	Make: Qiumei.Liu	<b>DRAWING TITLE</b> 25W Encapsulated Transformer For EI60*25.5,230VAC Input 50/60Hz Material Number: A226025XS090	Customer Name:
						Checked: Beson. zhan		Document/Rev: 00
REV	DESCRIPTION	APPD	DATE			Approved: Anson. zhan		Specification Sheet: 2 of 2 Date of Recognition: Jan./02/2020